

IFEB10, Indoor Fiber Optic Wall mount Enclosure, Splice Only, No trays, main cable seal and 12x5mm drop seal, RAL 9010

- Compact, wall mountable fiber enclosures for indoor use
- Specifically designed for fast FTTH deployment and easy customer connection
- Configurable as splice only or connectorized solution
- Multiple and modular wrap around cable port sealing options to suit a wide range of cables
- Easy intergration of 900µm connectorised or 250µm splice splitters (inactive)
- Single Element (SE), Single Slim Element (SLE) or Single Circuit (SC) tray options - Smouv and ANT
- Powered by NOVUX™

## Product Classification

<b>Regional Availability</b>	EMEA
<b>Portfolio</b>	CommScope®
<b>Product Type</b>	Fiber wall box
<b>Product Series</b>	IFEB-10

## General Specifications

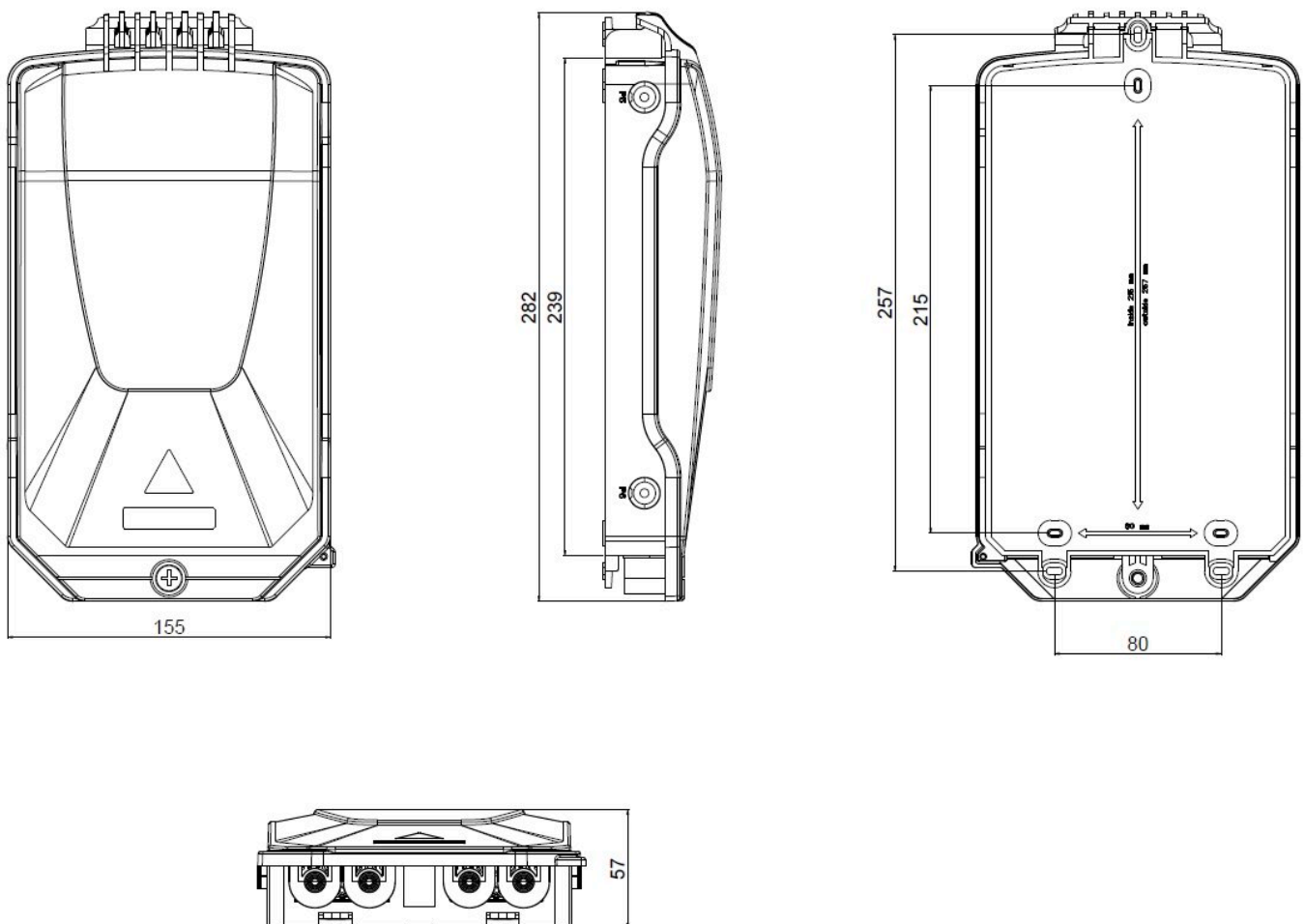
<b>Functionality</b>	Splicing
<b>Access</b>	Front
<b>Adapter Ports, quantity</b>	0
<b>Cable Ports, quantity</b>	1
<b>Drop Port, quantity</b>	12
<b>Enclosure Color</b>	Pure White (RAL 9010)
<b>Front Cover Type</b>	Snap-on cover
<b>Interface</b>	Splicing only
<b>Pigtails Included, quantity</b>	0

Splice Tray Construction	No tray
Splicing Capacity, maximum	0
Splicing Type	ANT   SMOUV

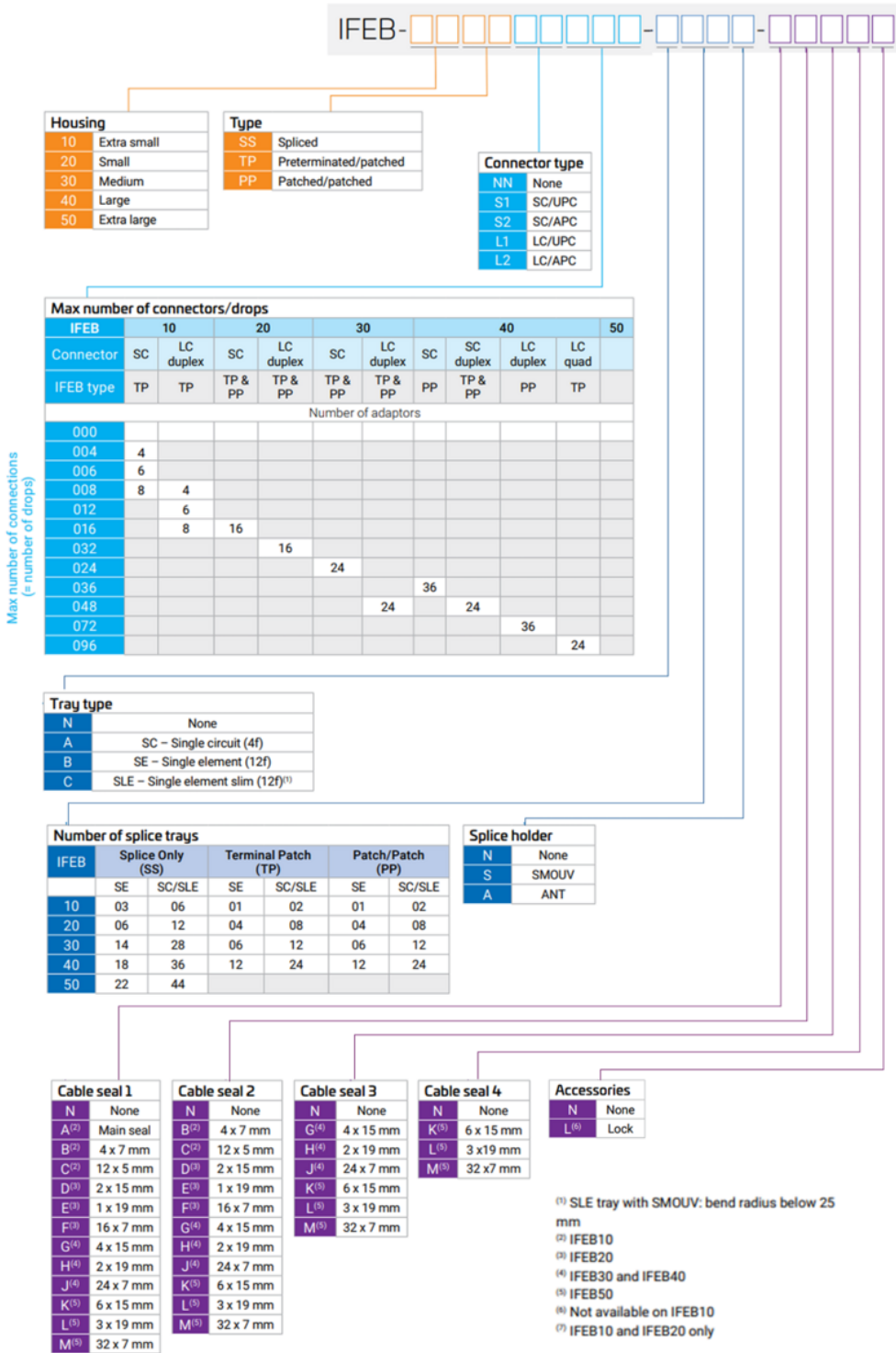
## Dimensions

Height	260 mm   10.236 in
Height, with cover	285 mm   11.22 in
Width	155 mm   6.102 in
Depth	60 mm   2.362 in

## Dimension Drawing



Ordering Tree



## Environmental Specifications

<b>Installation temperature</b>	-5 °C to +45 °C (+23 °F to +113 °F)
<b>Operating Temperature</b>	-10 °C to +60 °C (+14 °F to +140 °F)
<b>Environmental Space</b>	Indoor
<b>Flammability Rating</b>	UL 94 V-0
<b>Qualification Standards</b>	IEC 60529, IP50   IEC 61753-1 Ed.2 2018 - Category C

## Packaging and Weights

<b>Included</b>	Box (1)   Drop Seal, 12x5 (1)   Main Seal (1)
<b>Packaging quantity</b>	1
<b>Packaging Type</b>	Box

## Regulatory Compliance/Certifications

<b>Agency</b>	<b>Classification</b>
CHINA-ROHS	Above maximum concentration value
REACH-SVHC	Compliant as per SVHC revision on <a href="http://www.commscope.com/ProductCompliance">www.commscope.com/ProductCompliance</a>
ROHS	Compliant/Exempted
UK-ROHS	Compliant/Exempted

