

IFEB10, Indoor Fiber Optic Wall mount Enclosure, Splice / Patch, No Pigtails and No Adapters, No trays, main cable seal and 12x5mm drop seal, RAL 9010

- Compact, wall mountable fiber enclosures for indoor use
- Specifically designed for fast FTTH deployment and easy customer connection
- Configurable as splice only or connectorized solution
- Multiple and modular wrap around cable port sealing options to suit a wide range of cables
- Easy intergration of 900µm connectorised or 250µm splice splitters (inactive)
- Single Element (SE), Single Slim Element (SLE) or Single Circuit (SC) tray options - Smouv and ANT
- Powered by NOVUX™

Product Classification

Regional Availability	EMEA
Portfolio	CommScope®
Product Type	Fiber wall box
Product Series	IFEB-10

General Specifications

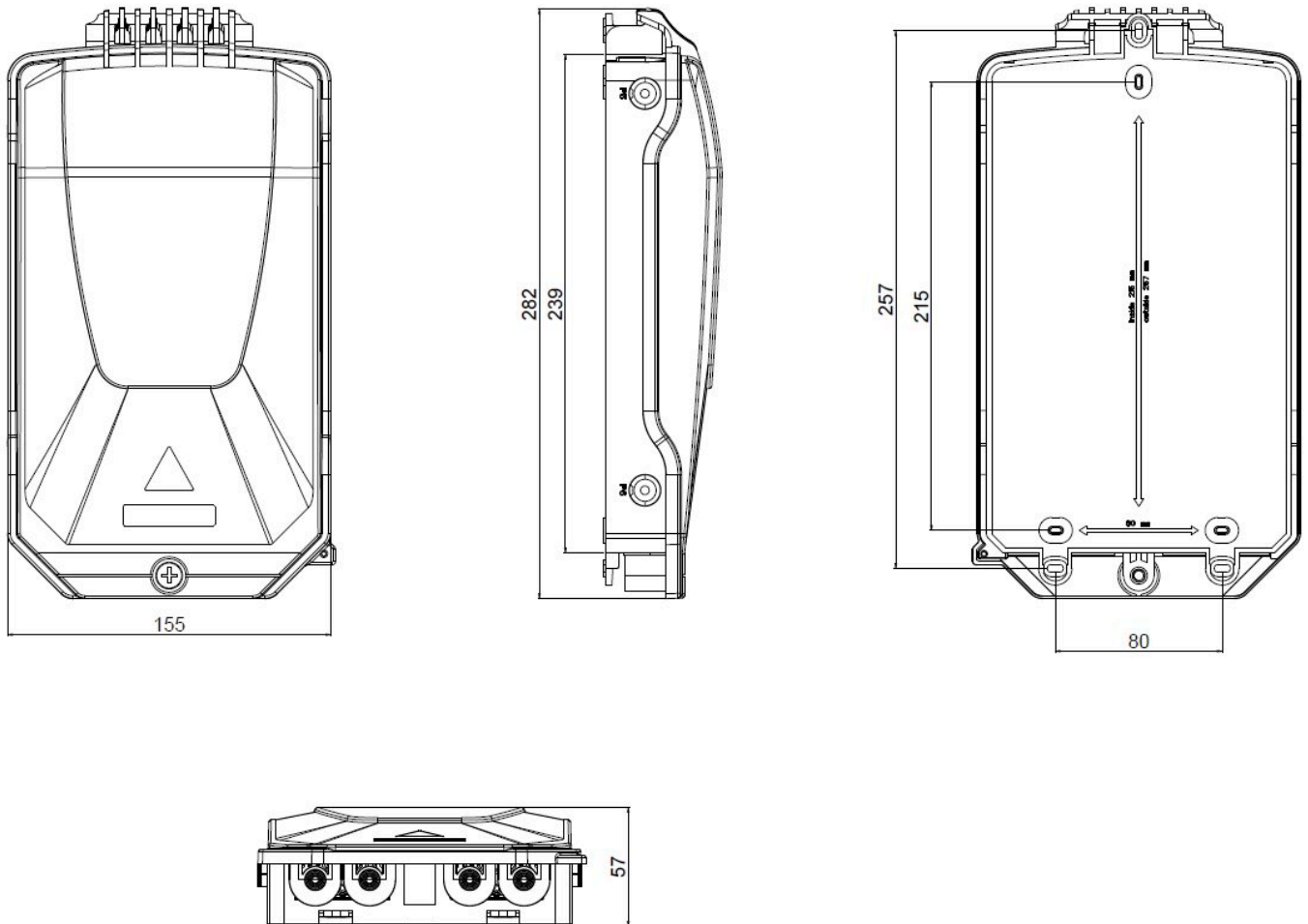
Functionality	Patching Splicing
Access	Front
Adapter Ports, quantity	0
Cable Ports, quantity	1
Drop Port, quantity	12
Enclosure Color	Pure White (RAL 9010)
Front Cover Type	Snap-on cover
Interface	Unloaded

Pigtails Included, quantity	0
Splice Tray Construction	No tray
Splicing Capacity, maximum	0
Splicing Type	ANT SMOUV

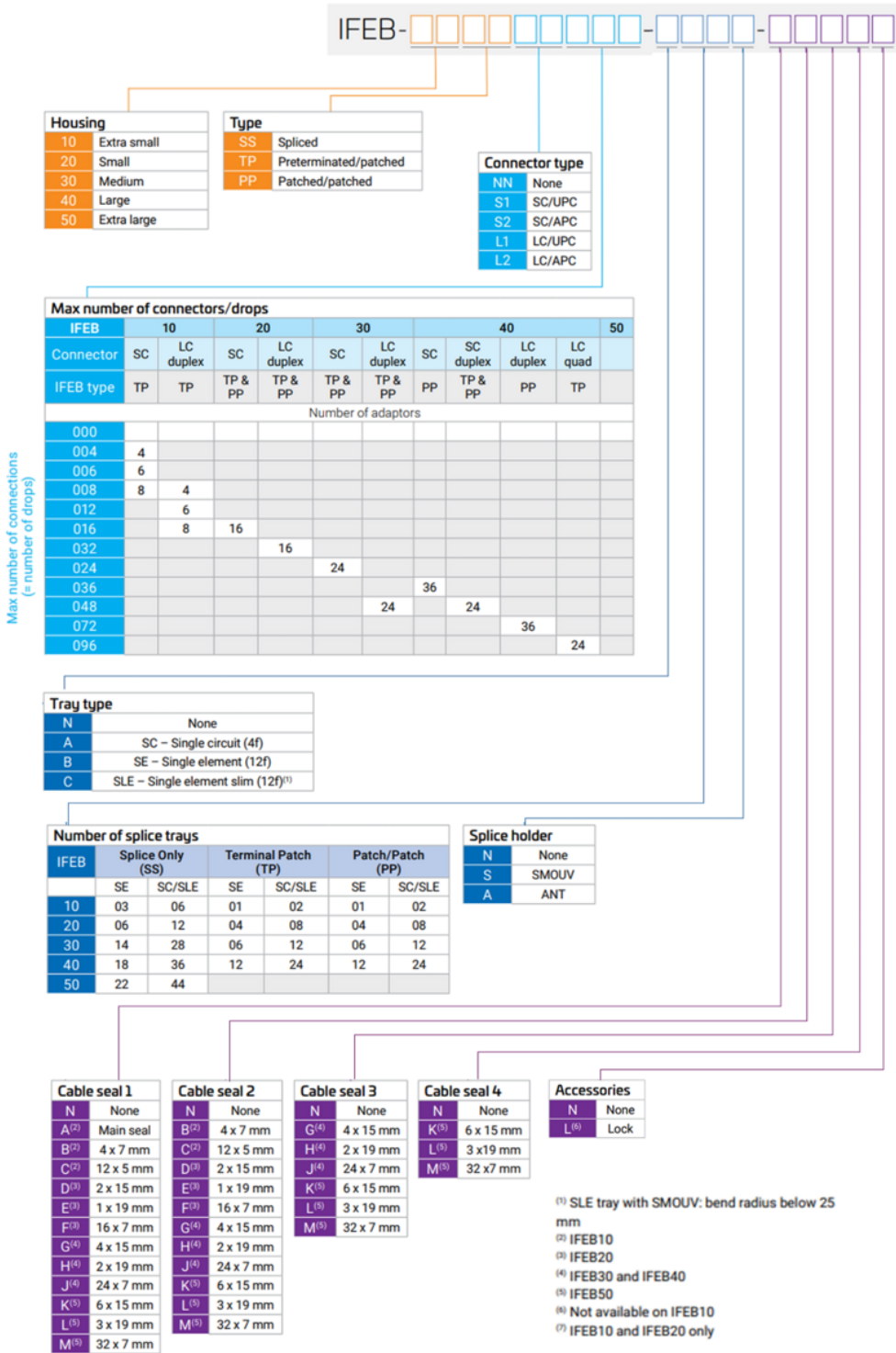
Dimensions

Height	260 mm 10.236 in
Height, with cover	285 mm 11.22 in
Width	155 mm 6.102 in
Depth	60 mm 2.362 in

Dimension Drawing



Ordering Tree



Environmental Specifications

Installation temperature	-5 °C to +45 °C (+23 °F to +113 °F)
Operating Temperature	-10 °C to +60 °C (+14 °F to +140 °F)
Environmental Space	Indoor
Flammability Rating	UL 94 V-0
Qualification Standards	IEC 60529, IP50 IEC 61753-1 Ed.2 2018 - Category C

Packaging and Weights

Included	Box (1) Drop Seal, 12x5 (1) Main Seal (1) Adapter frame (max 4 SC/8LC-duplex footprint) (1)
Packaging quantity	1
Packaging Type	Box

Regulatory Compliance/Certifications

Agency	Classification
CHINA-ROHS	Below maximum concentration value
REACH-SVHC	Compliant as per SVHC revision on www.commscope.com/ProductCompliance
ROHS	Compliant
UK-ROHS	Compliant

