

IFEB30, Indoor Fiber Optic Wall mount Enclosure, Splice Only, No trays, Feeder Cable Seal 4x15mm and 24x7mm drop seal, RAL 9010

- Compact, wall mountable fiber enclosures for indoor use
- Specifically designed for fast FTTH deployment and easy customer connection
- Configurable as splice only or connectorized solution
- Multiple and modular wrap around cable port sealing options to suit a wide range of cables
- Easy intergration of 900µm connectorised or 250µm splice splitters (inactive)
- Single Element (SE), Single Slim Element (SLE) or Single Circuit (SC) tray options - Smouv and ANT
- Powered by NOVUX™

## Product Classification

<b>Regional Availability</b>	EMEA
<b>Portfolio</b>	CommScope®
<b>Product Type</b>	Fiber wall box
<b>Product Series</b>	IFEB-30

## General Specifications

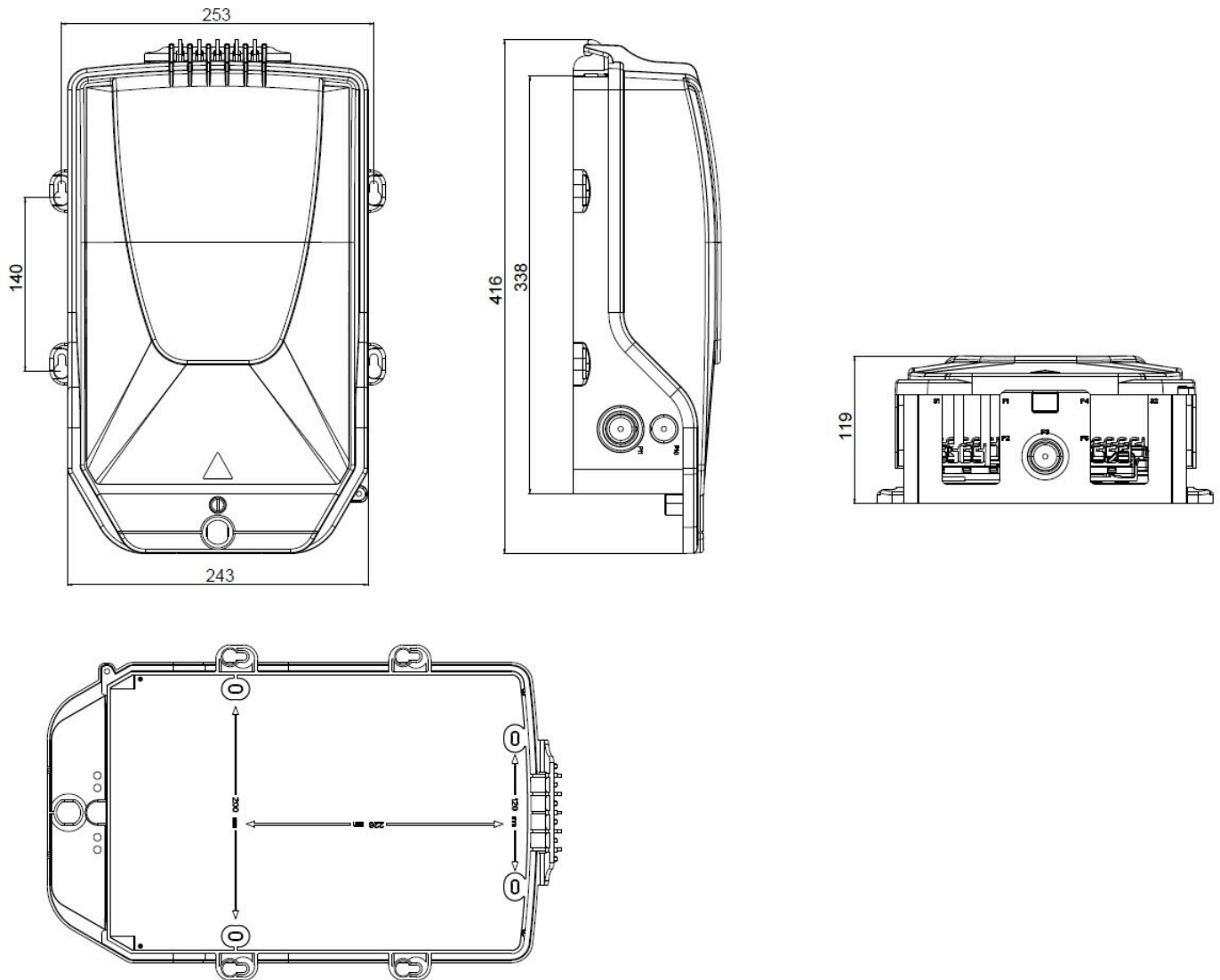
<b>Functionality</b>	Splicing
<b>Access</b>	Front
<b>Adapter Ports, quantity</b>	0
<b>Cable Ports, quantity</b>	4
<b>Drop Port, quantity</b>	24
<b>Enclosure Color</b>	Pure White (RAL 9010)
<b>Front Cover Type</b>	Snap-on cover
<b>Interface</b>	Splicing only

<b>Pigtails Included, quantity</b>	0
<b>Splice Tray Construction</b>	No tray
<b>Splicing Capacity, maximum</b>	0
<b>Splicing Type</b>	ANT   SMOUV

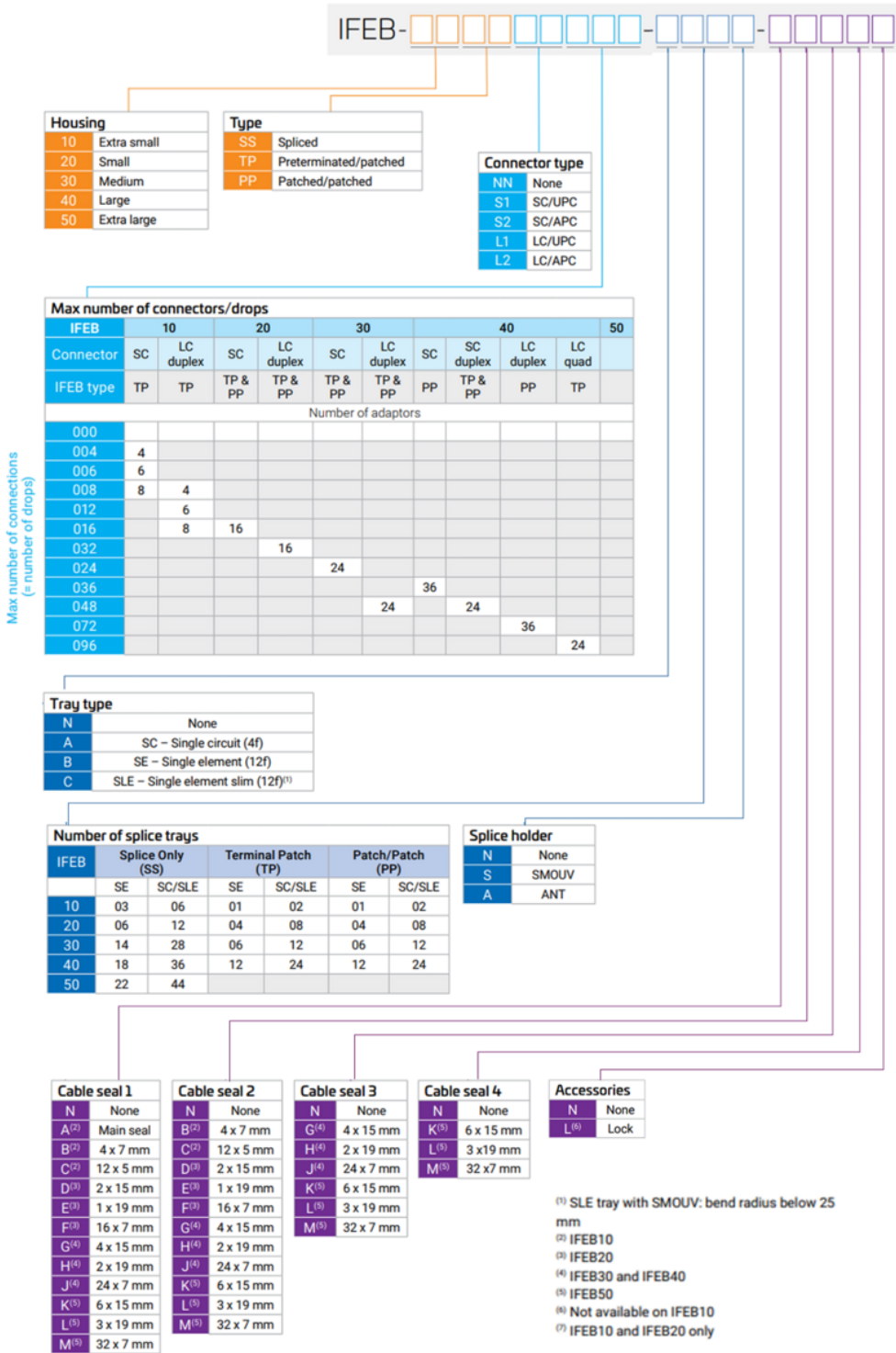
## Dimensions

<b>Height</b>	340 mm   13.386 in
<b>Height, with cover</b>	420 mm   16.535 in
<b>Width</b>	240 mm   9.449 in
<b>Depth</b>	120 mm   4.724 in

Dimension Drawing



Ordering Tree



## Environmental Specifications

<b>Installation temperature</b>	-5 °C to +45 °C (+23 °F to +113 °F)
<b>Operating Temperature</b>	-10 °C to +60 °C (+14 °F to +140 °F)
<b>Environmental Space</b>	Indoor
<b>Flammability Rating</b>	UL 94 V-0
<b>Qualification Standards</b>	IEC 60529, IP50   IEC 61753-1 Ed.2 2018 - Category C

## Packaging and Weights

<b>Included</b>	Box (1)   Drop Seal, 24x7 (1)   Main Seal 4 x 15 (1)
<b>Packaging quantity</b>	1
<b>Packaging Type</b>	Box

## Regulatory Compliance/Certifications

<b>Agency</b>	<b>Classification</b>
CHINA-ROHS	Above maximum concentration value
ROHS	Compliant/Exempted
UK-ROHS	Compliant/Exempted

