



IFEB30, Indoor Fiber Optic Wall mount Enclosure, Splice / Patch, No Pigtails and No Adapters, No trays, Feeder Cable Seal 4x15mm and 24x7mm drop seal, RAL 9010

- Compact, wall mountable fiber enclosures for indoor use
- Specifically designed for fast FTTH deployment and easy customer connection
- Configurable as splice only or connectorized solution
- Multiple and modular wrap around cable port sealing options to suit a wide range of cables
- Easy intergration of 900µm connectorised or 250µm splice splitters (inactive)
- Single Element (SE), Single Slim Element (SLE) or Single Circuit (SC) tray options - Smouv and ANT
- Powered by NOVUX™

Product Classification

Regional Availability	EMEA
Portfolio	CommScope®
Product Type	Fiber wall box
Product Series	IFEB-30

General Specifications

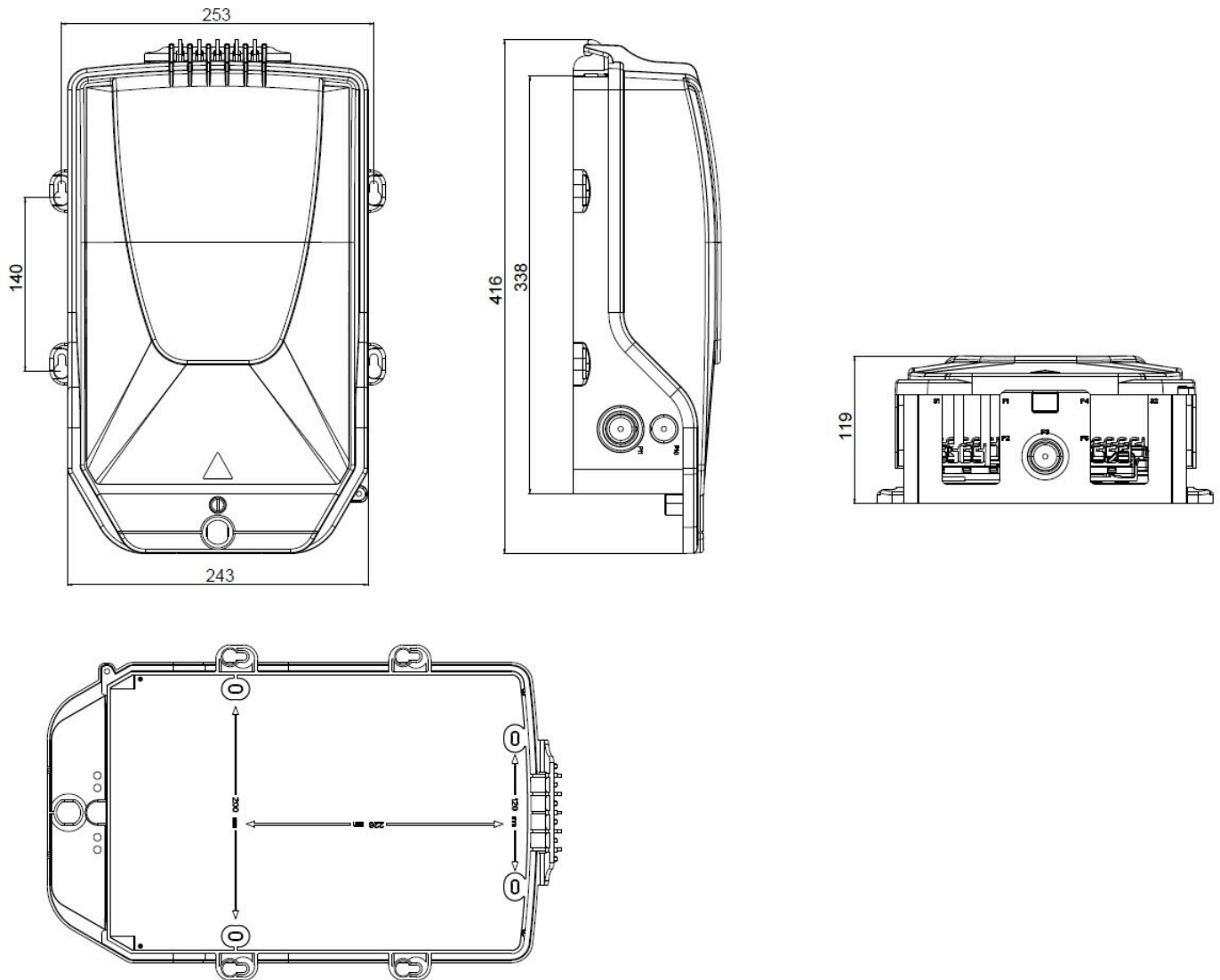
Functionality	Patching Splicing
Access	Front
Adapter Ports, quantity	0
Cable Ports, quantity	4
Drop Port, quantity	24
Enclosure Color	Pure White (RAL 9010)
Front Cover Type	Snap-on cover
Interface	Unloaded

Pigtails Included, quantity	0
Splice Tray Construction	No tray
Splicing Capacity, maximum	0
Splicing Type	ANT SMOUV

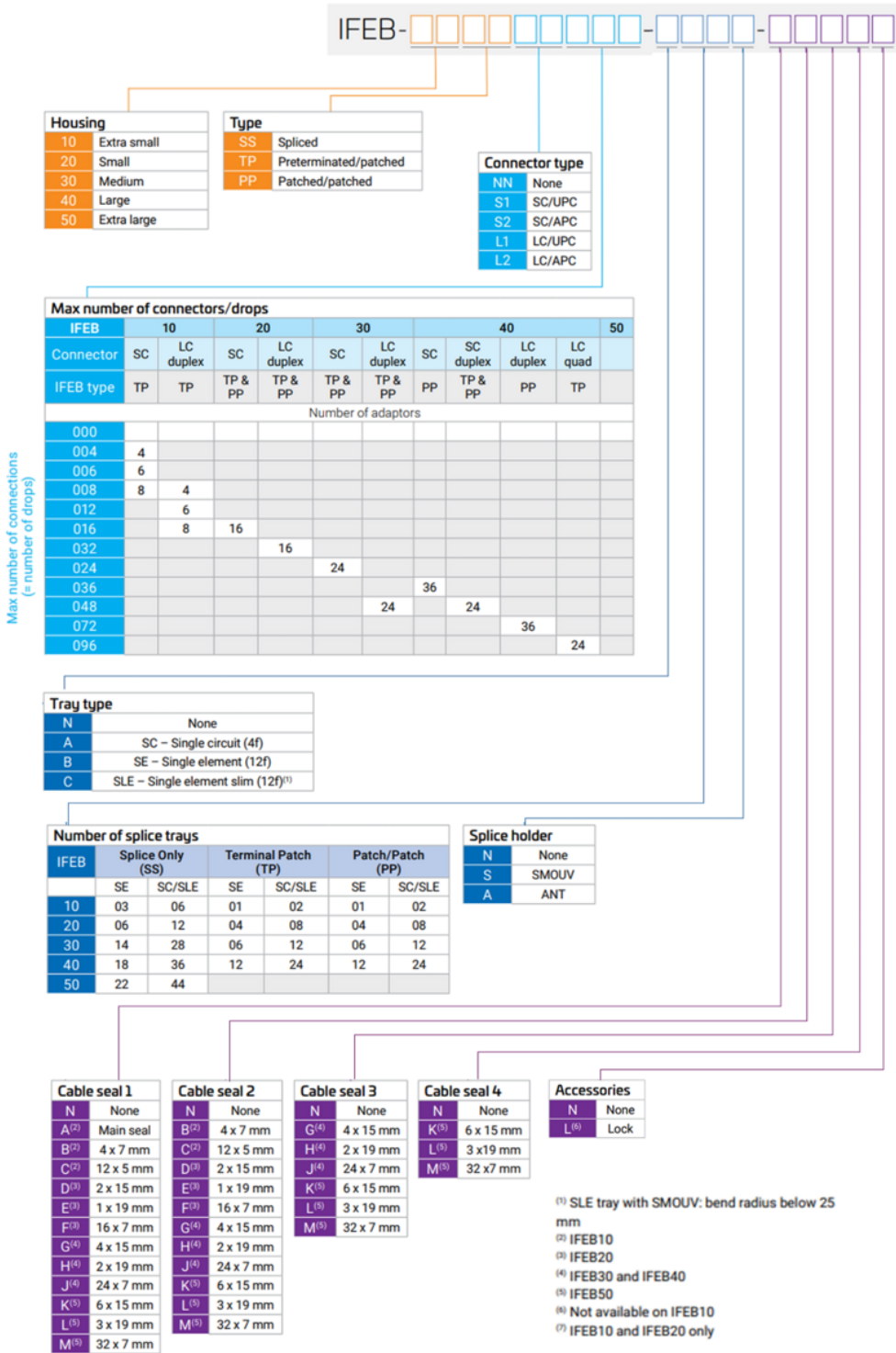
Dimensions

Height	340 mm 13.386 in
Height, with cover	420 mm 16.535 in
Width	240 mm 9.449 in
Depth	120 mm 4.724 in

Dimension Drawing



Ordering Tree



Environmental Specifications

Installation temperature	-5 °C to +45 °C (+23 °F to +113 °F)
Operating Temperature	-10 °C to +60 °C (+14 °F to +140 °F)
Environmental Space	Indoor
Flammability Rating	UL 94 V-0
Qualification Standards	IEC 60529, IP50 IEC 61753-1 Ed.2 2018 - Category C

Packaging and Weights

Included	Box (1) Drop Seal, 24x7 (1) Main Seal 4 x 15 (1) Adapter frame (max 24 SC/48LC-duplex footprint) (1)
Packaging quantity	1
Packaging Type	Box

Regulatory Compliance/Certifications

Agency	Classification
CHINA-ROHS	Above maximum concentration value
ROHS	Compliant/Exempted
UK-ROHS	Compliant/Exempted

