

TC-908-IP
Rev A, Mar 2017
www.commscope.com

Gels seal for the round cable ports of FIST-GCO2-BX and FX splice closure.

Contents

1 General

2 Kit contents

3 Installation

- 3.1 General
- 3.2 FIST-GCO2-BX
- 3.3 FIST-GCO2-FX

1 General

This kit is used to install 2 drop cables of 7 to 11 mm diameter in a new unused round port of the FIST-GCO2-BX and FX.

Comment: depending on outside conditions, some oil bleed-out may occur. This will not affect in any way the sealing performance.

2 Kit contents



Kit content FIST-GCO2-BX



Kit content FIST-GCO2-FX/BX8

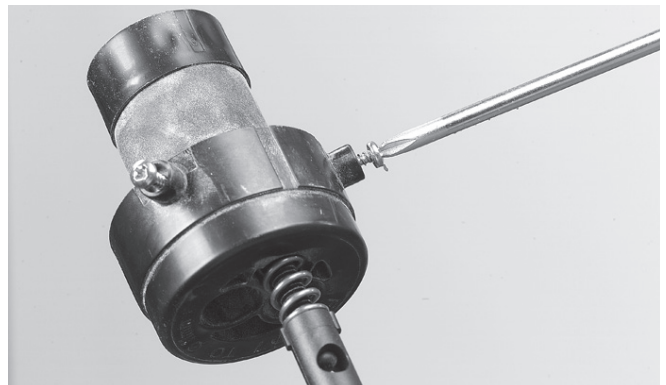
Note: The lubrication oil in the kit makes it easier to

- install gel-seal in the closure ports
- guide cables through ports in the gel-seal.

3 Installation

3.1 General

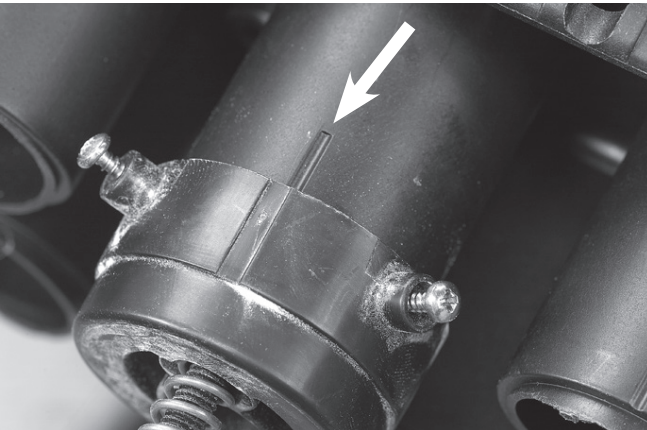
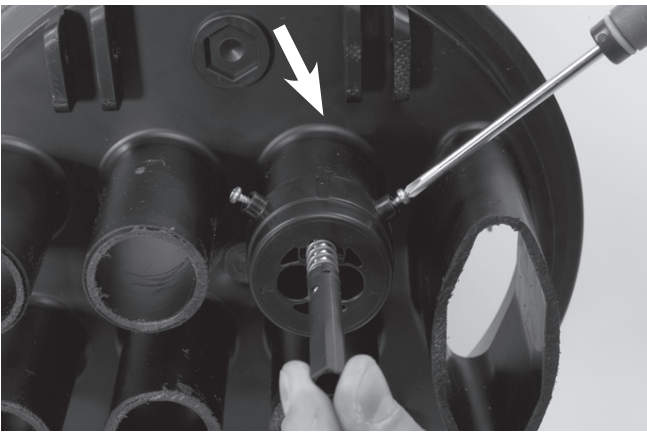
Thermoplastic gel seals	
Number of ports	Cable range (mm)
1	11-14
2	8-11
3	6,5-8
4	4-7
8	3-5
16	0-3
FOSC-OSKG	6-15
FIST-OSKG	5-18
FIST-OSKG20	16-20



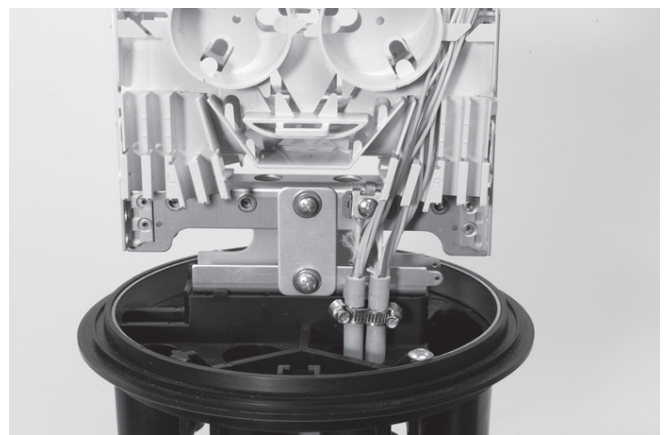
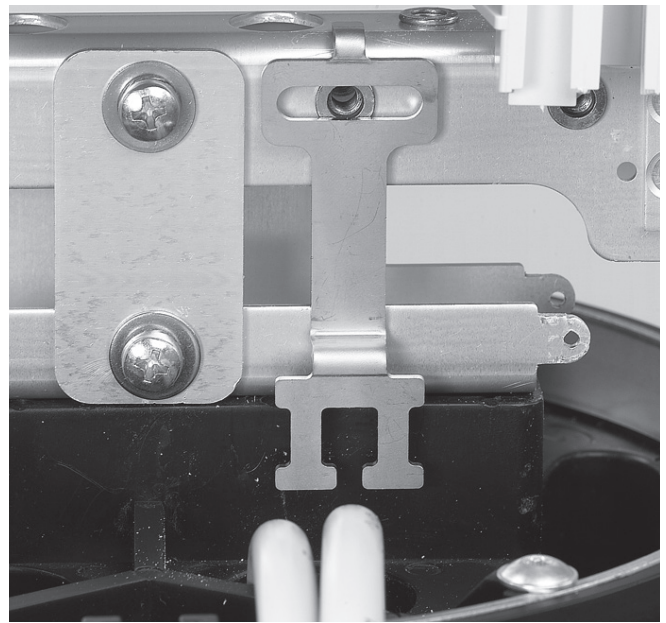
3.1.1 Before installing the gel seal in the port, install the 2 securing screws.



3.1.2 First cable must be installed in the position number 1. And the next must follow the numbering.

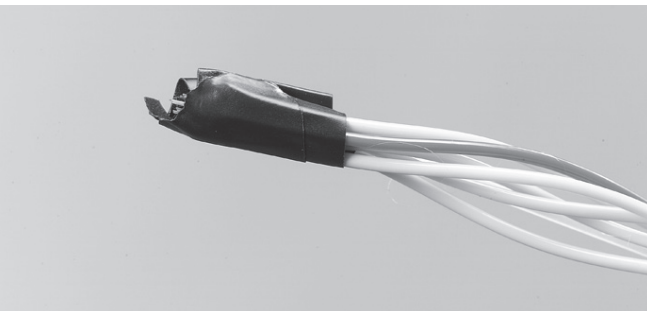


3.1.3. Open the port. The cutting wire can be used. Make sure that the edges are free of burrs. Install the seal in the port, mark line always facing forward. The mark line on the gel seal should match with the mark line on the FIST-GCO2-FX drop port (The mark at the FIST-GCO2-FX should be hidden when the seal is installed). Tighten the 2 screws and make sure they grip in the port.

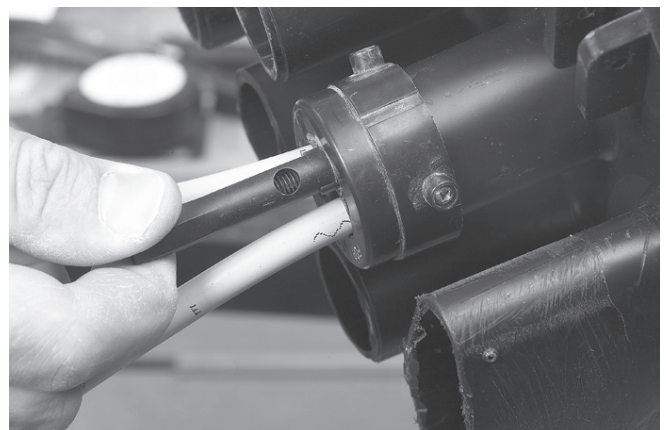


3.2.2 Fix the metal bracket together with the 2 metal plates to the frame. Make sure that it is positioned at the center of the port. Do not tighten the screw completely. Secure the cable jackets with the hose clamps at the T shape. Secure the strength members between the 2 metal plates and tighten the screw. Route the loose tubes as per standard practice.

3.2 Cable securing in the FIST-GCO2-BX6



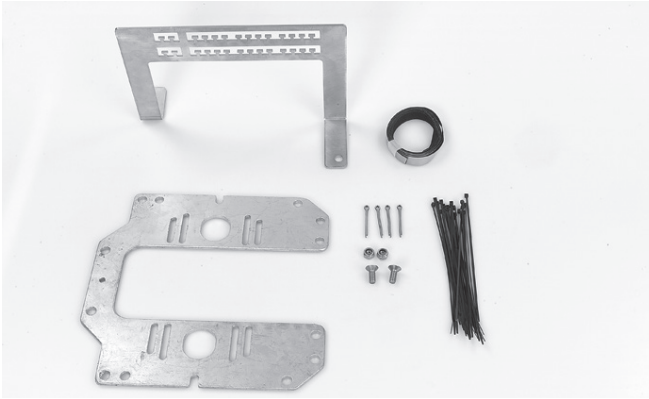
3.2.1 Prepare the cable as per standard practice. Cut the strength member at ± 50 mm from the cable jacket. Feed the cable through the gel seal (Apply some tape at the end of the loose tubes to ensure easy feeding through the gel seal).



3.2.3 In case only one cable is installed, use the blind plug to fill up the unused hole. Tighten the trigger till it butts up with the flange. The spring should be hidden after tightening.

3.2.4 To add a cable: release the trigger, remove the blind plug, prepare a new cable and proceed as from 3.2.1.

A *Optional: FIST-GCO2-BX6-EXT/CF
GCO2-BX cable securing frame.*



A1 A cable securing frame can be mounted onto the mobra (bolt and nut). This allows cables to be secured outside the closure.

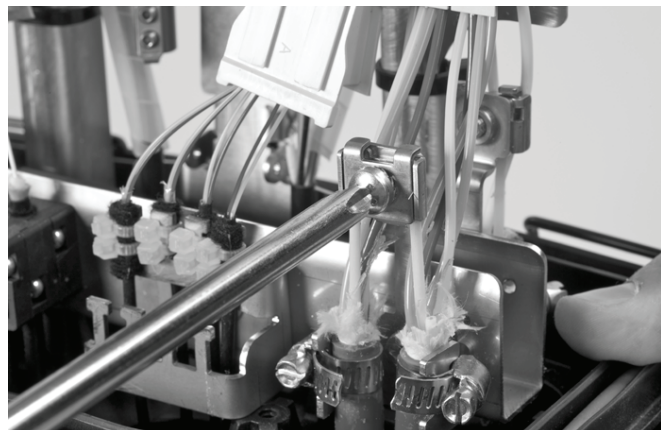
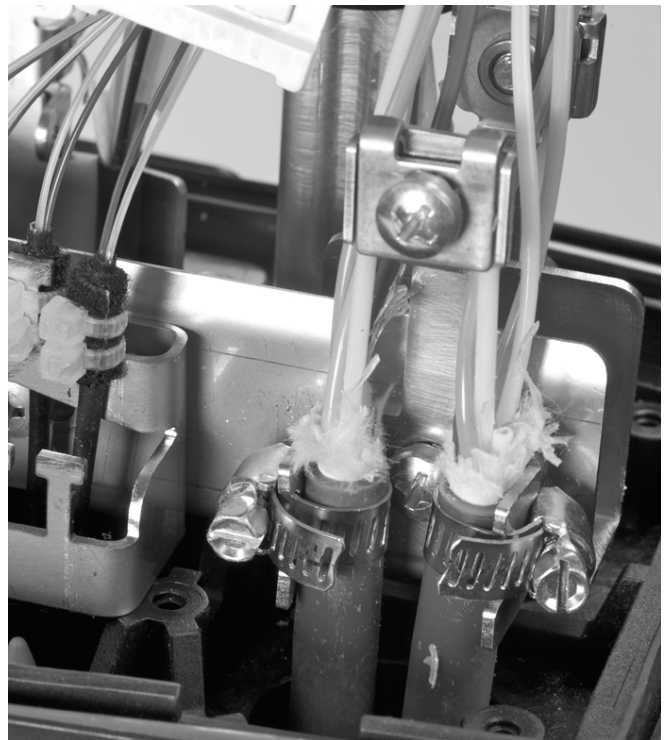


A2 Apply some foam to the cable(s) and secure with tie-wrap(s) to the frame.

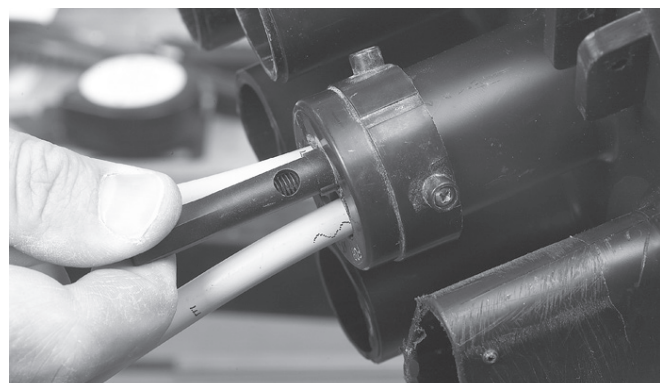
3.3 Cable securing in the FIST-GCO2-FX/BX8

Start with ports 3 and 8.

3.3.1 Prepare the cable as per standard practice. Cut the strength member at ± 40 mm from the cable jacket. Feed the cable through the gel seal (apply some tape at the end of the loose tubes to ensure easy feeding through the gel seal).



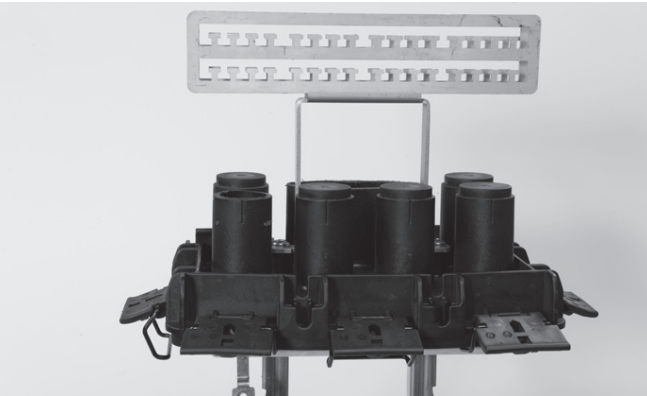
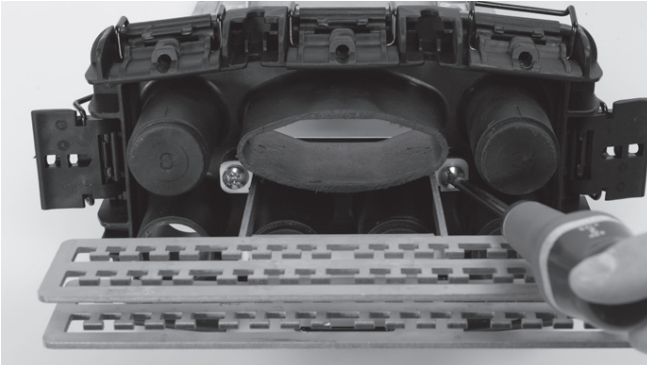
3.3.2 Secure the metal bracket to the frame (bottom hole) with the flathead screw (M5). Secure the cable jacket with the hose clamp at the T-shape. If needed use some tape or foam to build up the diameter. Secure the strength member between the metal plate and bracket and tighten the screw. Route the loose tubes as per standard practice.



3.3.3 Tighten the trigger till it butts up with the flange. The spring should be hidden after tightening. In case only one cable is installed, use the blind plug to fill up the unused hole.

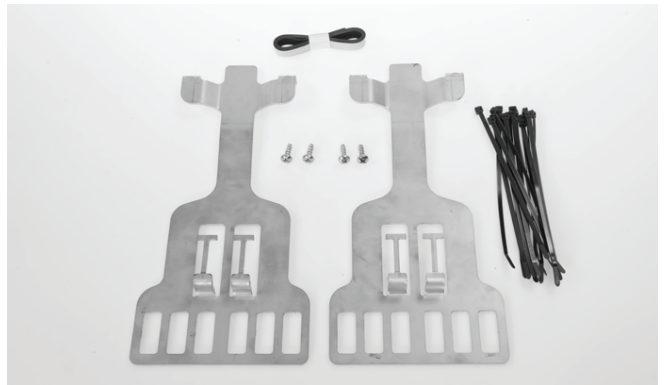
3.3.4 To add a cable: release the trigger, remove the blind plug and insert the new cable, proceed as from 3.3.1.

B *Optional: FIST-GCO2-FX-EXT/CF
FIST-GCO2-FX cable securing frame*



B1 A cable securing frame can be mounted onto the base of the FIST-GCO2-FX with 2 delivered screws. This allows cables to be secured outside the closure. The marks '4' and '7' must be nearest to the corresponding ports.

C *Optional: FIST-GCO2-BX8
FIST-GCO2-BX8 cable securing frame*



C1 A cable securing system can be mounted on to the base of the FIST-GCO2-BX8 with 4 screws. This allows cables to be secured outside the closure.



C2 Apply some foam to the cable(s) and secure with tie-wrap(s) to the frame.