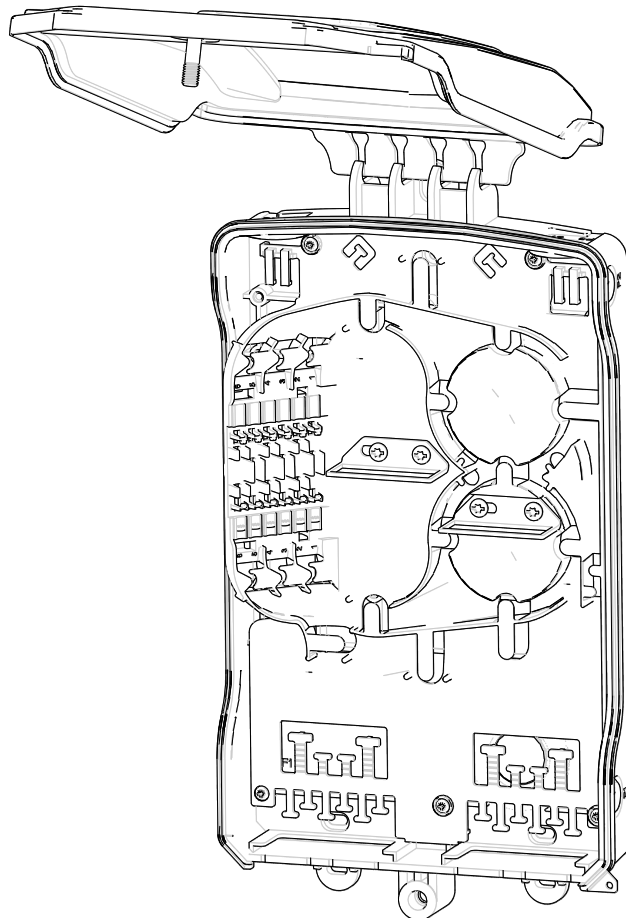


IFEB10 - Patch Application

1 About this manual

This publication provides user information for the installation of the IFEB. The Indoor Fiber Entrance Box is ideal for small to medium size buildings. It provides a flexible fiber management system for transitioning outside plant cable to indoor cable via splicing or with connectorized cable assemblies. It incorporates proven fiber routing procedures, cable termination accessories and splice trays resulting in consistent, high-quality fiber management. Images in this manual are for reference only and are subject to change.

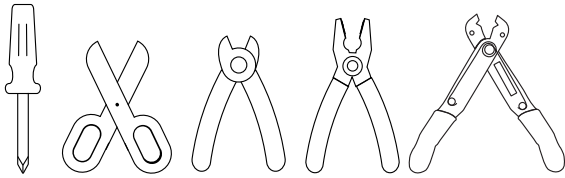
2 Product image



Contents

1 About this manual	1	7.1 Install feeder cable.....	6
2 Product image	1	7.2 Route feeder fibers to tray.....	7
3 Tools	3	8 Install 900µm pigtails	7
4 Warnings and Cautions	3	8.1 Install adapters.....	7
5 IFEB preparation	3	8.2 Route from adapter to tray.....	8
5.1 Open the box.....	3	9 Splicing	9
5.2 Install trays.....	4	10 Drop Cable	9
5.3 Seals.....	4	10.1 Drop cable installation.....	9
6 Prepare feeder/drop cables	6	11 Close the box	10
6.1 Cable with aramid yarn.....	6	12 Disclaimer	11
7 Feeder cable	6	13 Contact information	11

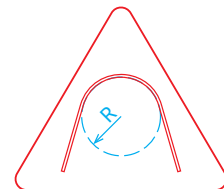
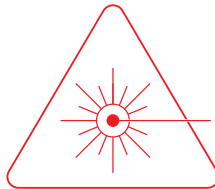
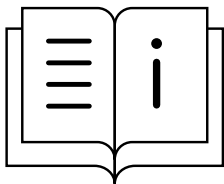
3 Tools



From left to right:

- Phillips screwdriver
- Scissors
- Cutting pliers
- Pliers
- Stripping pliers

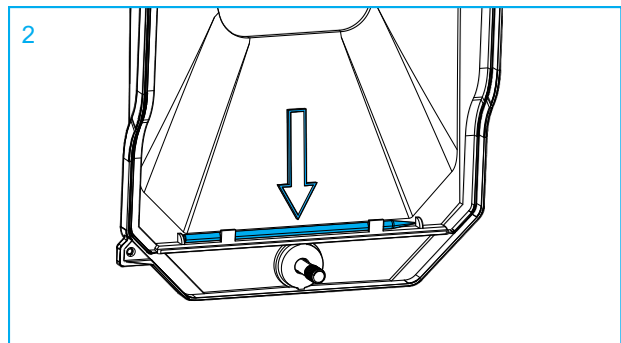
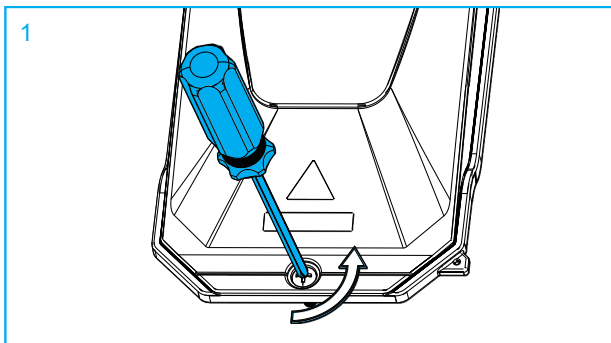
4 Warnings and Cautions



- Follow the installation instruction steps to ensure the performance of the closure. It is necessary to take precautions and keep the working space clean to protect the closure sealing materials and splices.
- Exposure to laser radiation can seriously damage the retina of the eye. Do not look into the ends of any optical fiber. Do not assume the laser power is turned off or that the fiber is disconnected at the other end. Looking into the ends of any optical fiber is entirely at your own risk. A protective cap or hood **MUST** be immediately placed over any radiating adapter or optical fiber connector to avoid the potential of dangerous amounts of radiation exposure. This practice also prevents dirt particles from entering the connector and adapter.
- Fiber optic cables may be damaged if bent or curved to a radius that is less than the recommended minimum bend radius. Always observe the recommended bend radius limit when installing fiber optic cables, subunits and patch cords.

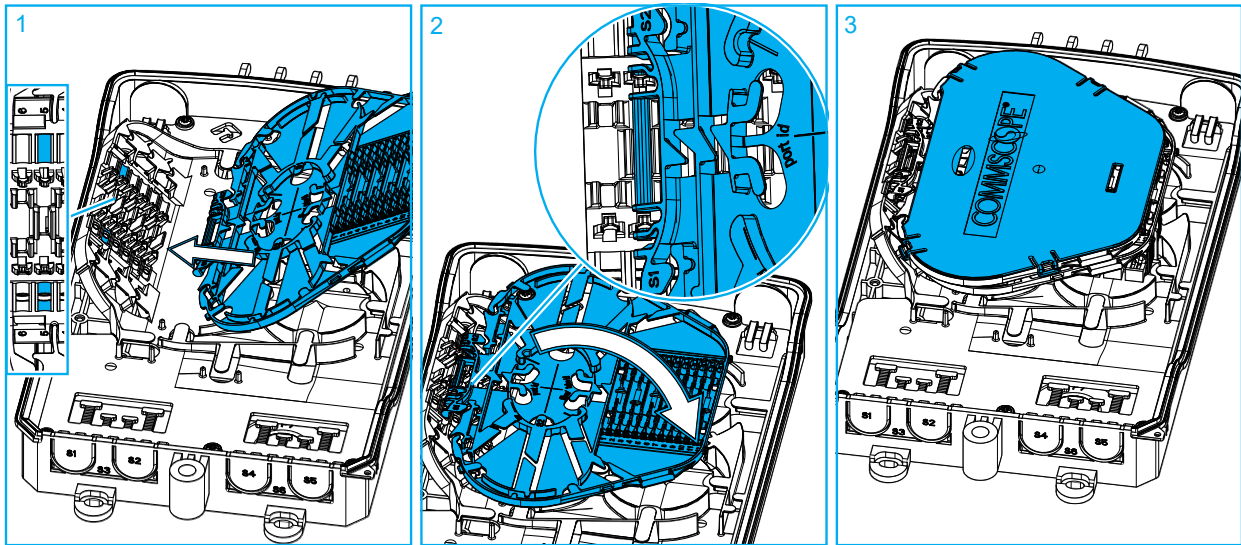
5 IFEB preparation

5.1 Open the box



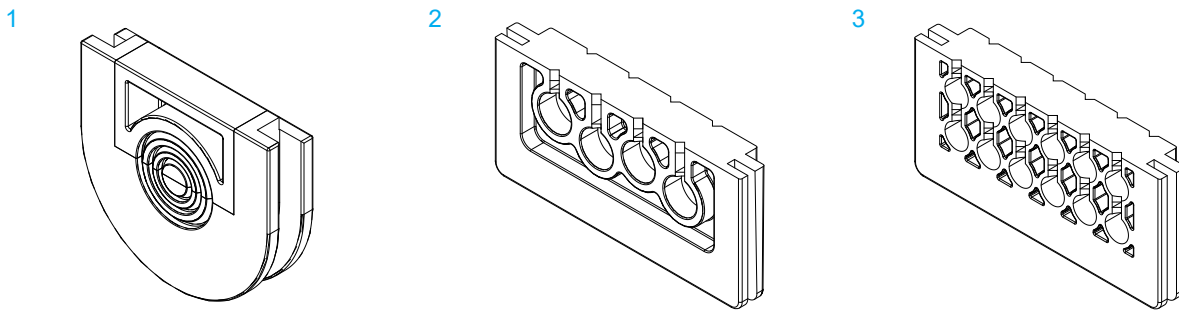
- 1 Open the box.
- 2 Locate the fiber guidance pen from inside the box cover. The pen is used to easily manipulate the fibers.

5.2 Install trays



- 1 Install the first tray in position 5.
- 2 Lower the tray.
- 3 Install the remaining trays, stacking them upwards and place the cover on the top tray.

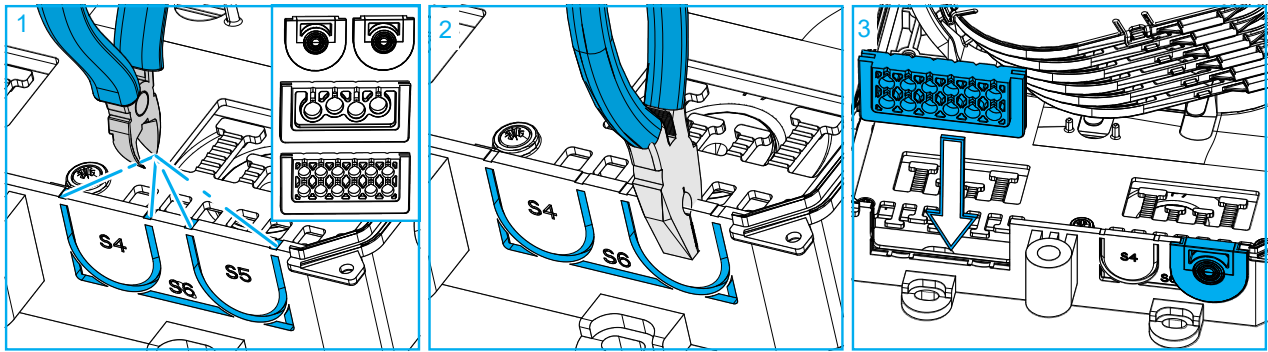
5.3 Seals



N°	Description
1	Sealblock 1 x 15mm (feeder cable)
2	Sealblock 4 x 7mm (drop cable)
3	Sealblock 12 x 5mm (drop cable)


5.3.1 Install seals

Determine which seals are required.



1 Create a notch at the top of the ports corresponding to the selected seals.

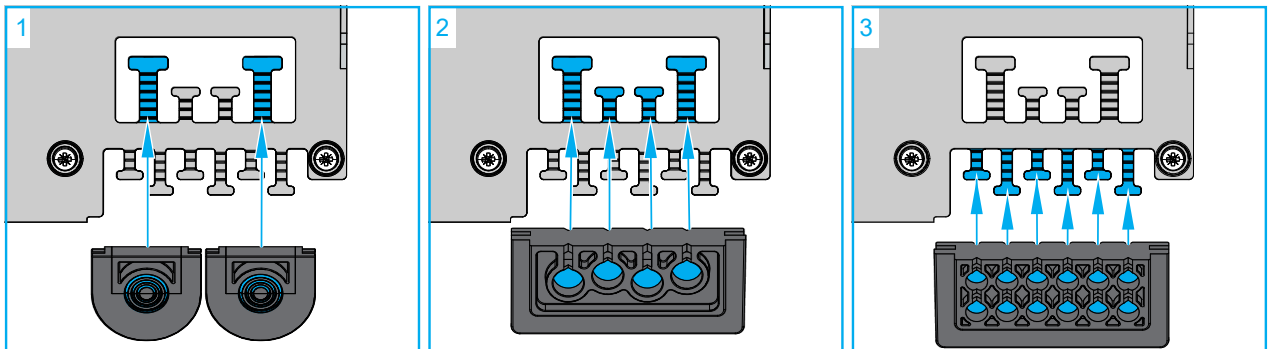
2 Open the appropriate ports.

 **Note:** Remove all sharp edges and burrs.

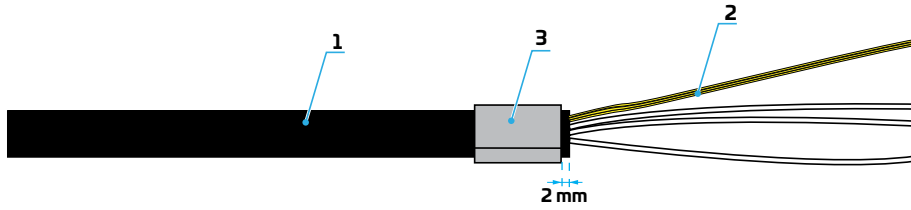
3 Install the seals.

5.3.2 T-shape use

Depending on the type of seal being applied, the correct T-shapes must be used. (see illustrations)

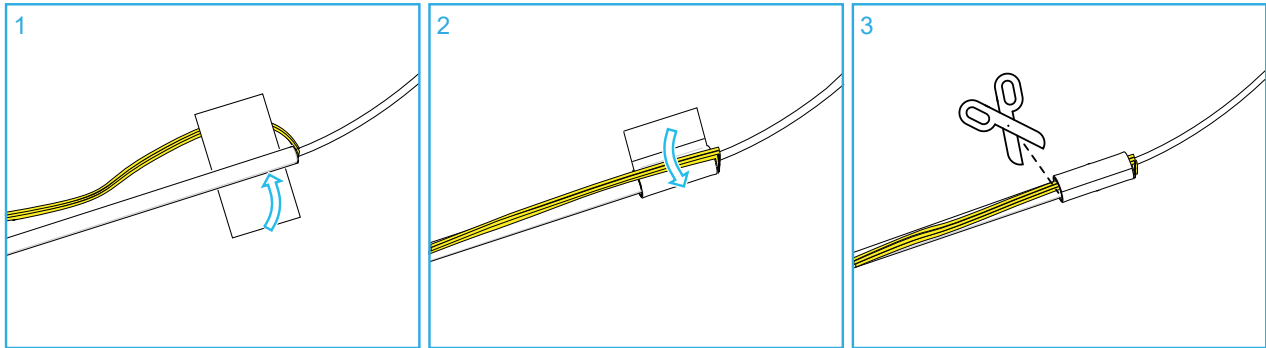


6 Prepare feeder/drop cables



N°	Description	Preparation
1	Jacket	Strip the feeder cable (1,5m)
2	Aramid yarn (optional)	Cut at 20 cm. Note: If aramid yarn is present proceed with section Cable with aramid yarn on page 6.
3	Protection tape	Wrap a piece of protection tape around the cable jacket at a distance of 2 mm from the jacket end.

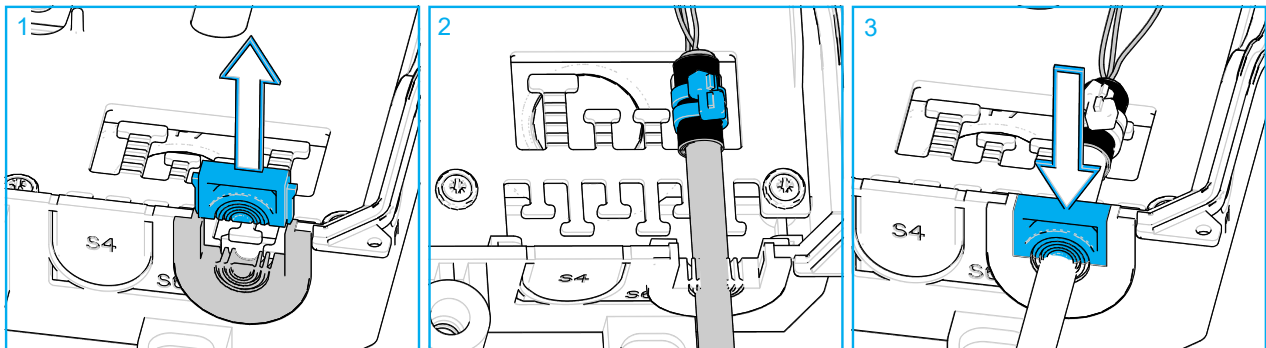
6.1 Cable with aramid yarn



- 1 Wrap a piece of protection tape around the cable jacket.
- 2 Pull the aramid yarn backwards and secure with the protection tape.
- 3 Cut the aramid yarn below the protection tape.

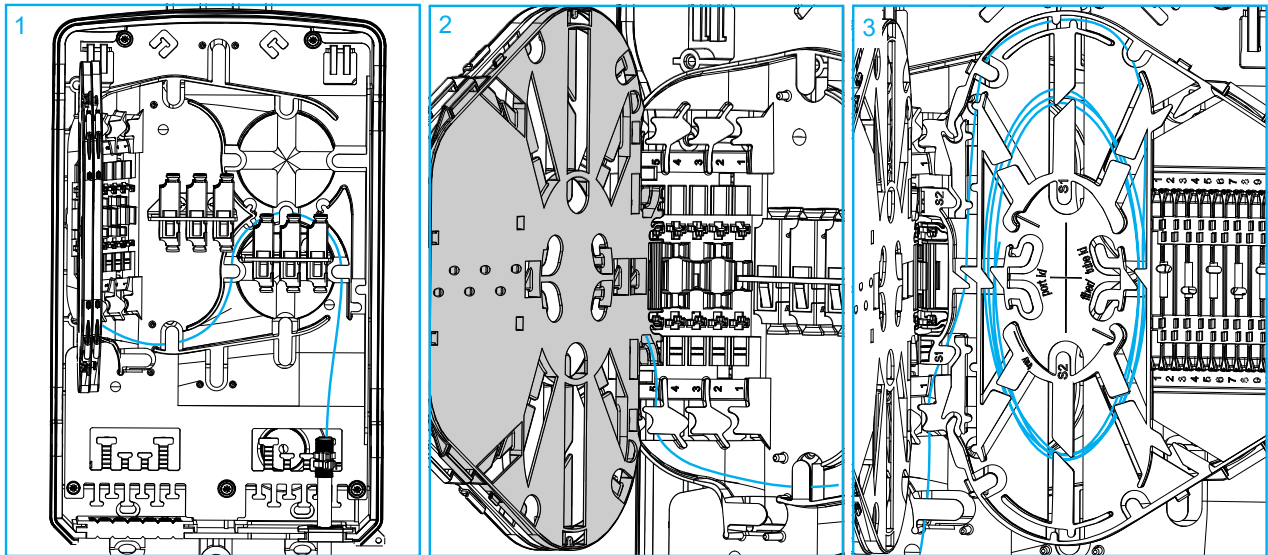
7 Feeder cable

7.1 Install feeder cable



- 1 Remove the top part of the grommet.
- 2 Remove the necessary number of rings from the seal to match the cable diameter. Install the cable on the t-shape and secure with two cable ties.
- 3 Reinstall the top part of the grommet.

7.2 Route feeder fibers to tray

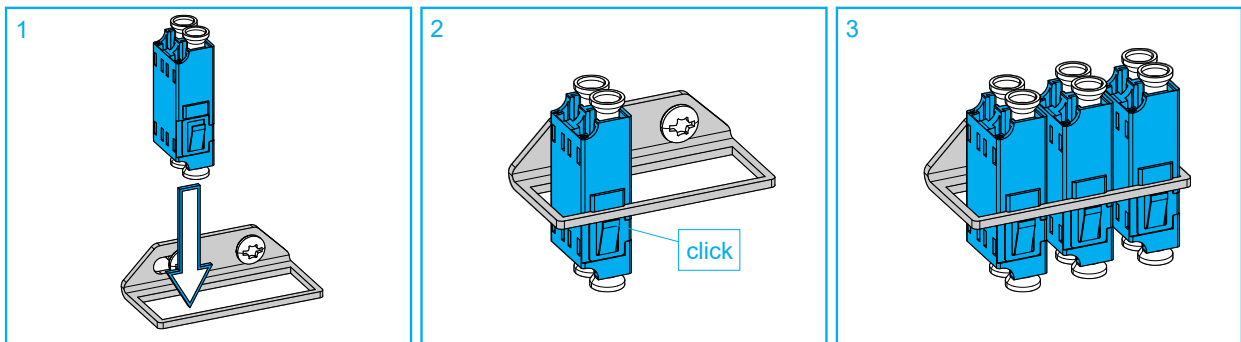


- 1 Route the feeder fibers as shown in the illustration.
- 2 Route the feeder fibers to the tray.
- 3 Store the feeder fibers on the tray.

8 Install 900µm pigtails

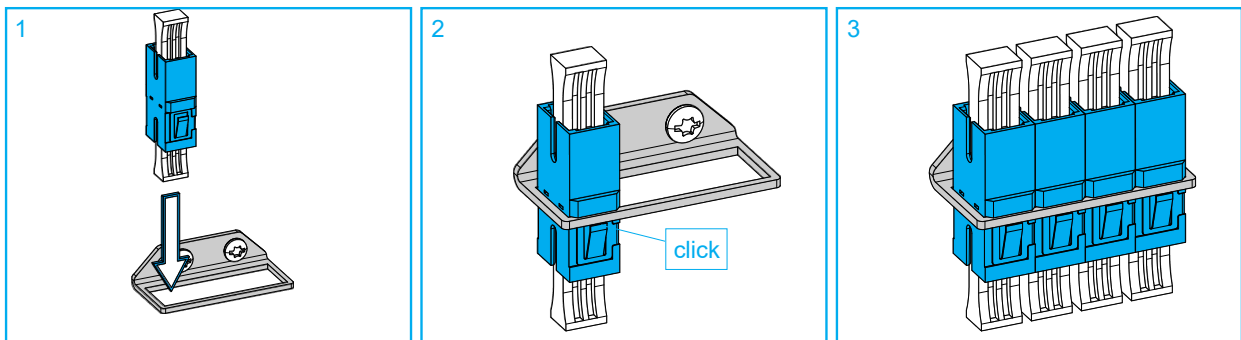
8.1 Install adapters

8.1.1 LC adapters



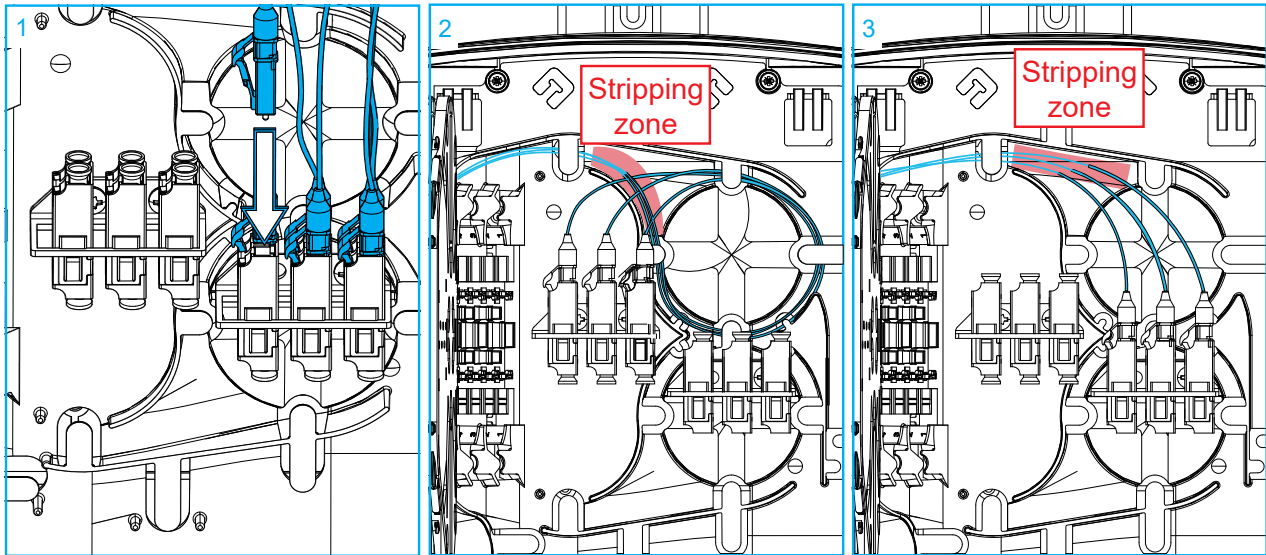
 **Note:** Maximum of 3 LC adapters per Patch panel.

8.1.2 SC adapters

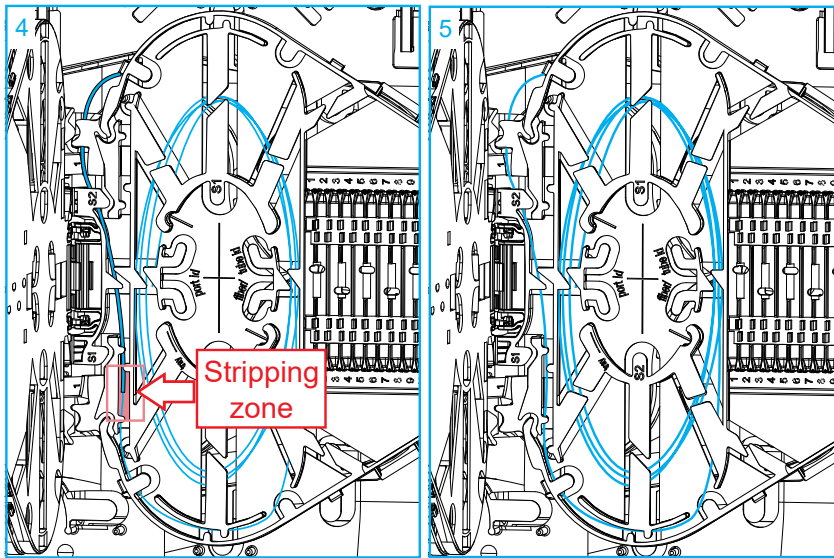


 **Note:** Maximum of 4 SC adapters per Patch panel.

8.2 Route from adapter to tray



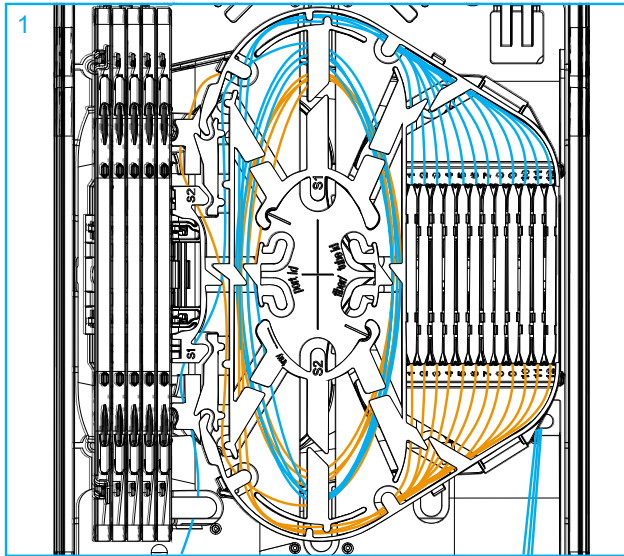
- 1 Align the connectors with the ports, ensuring the correct orientation, and insert each connector into its port until you hear a click, confirming a secure connection.
- 2 Route the pigtailed to the tray and strip them in the stripping zone, as indicated in Illustration 2.
- 3 If the second adapter holder is used, route the pigtailed to the tray and strip them in the stripping zone, as shown in Illustration 3.



- 4 Route the loose tube onto the tray. Alternatively, the stripping zone on the tray can be used if needed (see illustration 4).
- 5 Store the fibers on the tray.

9

Splicing

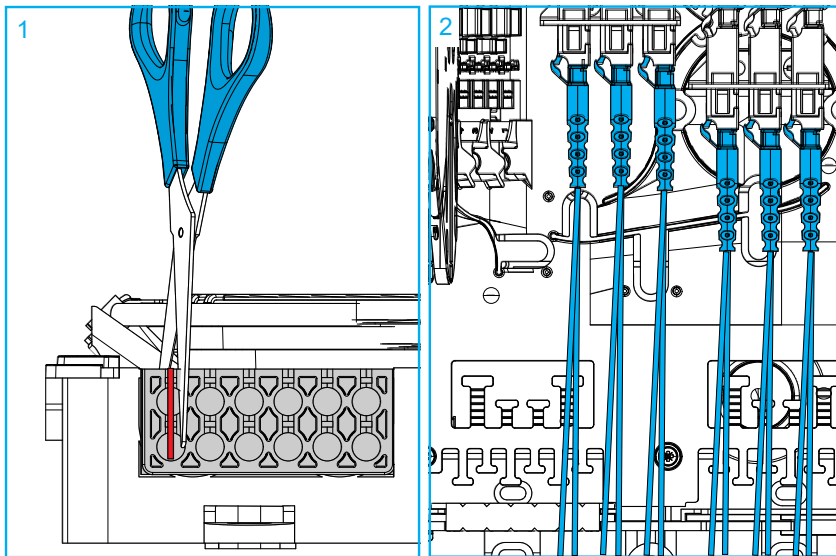


- 1 Make splice per local practice and store the splice protector in the splice protector holder. Store the over lengths in loops in the over length storage area.

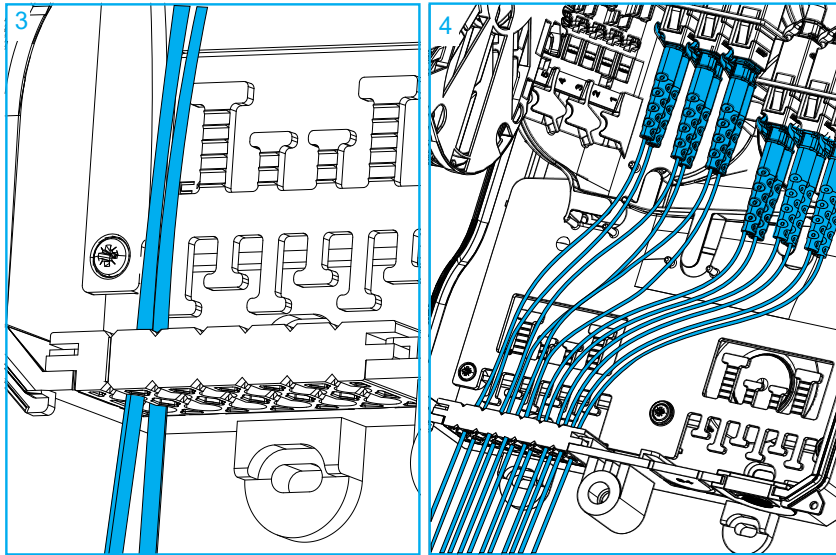
10

Drop Cable

10.1 Drop cable installation



- 1 Cut the sealing block where the drop cable will be installed.
- 2 Remove the dust caps from the adapter ports and connectors and connect all the drop cables.



3 Carefully slide the cables into the seal block.

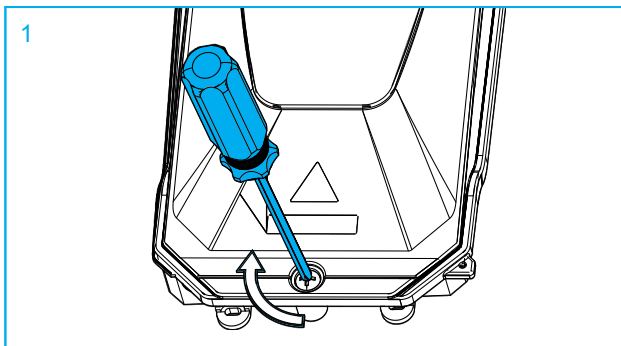
⚠ CAUTION: Be careful that the cable is not damaged while sliding into the seal block.

4 Repeat for the remaining cables

11 Close the box

⚠ CAUTION: Ensure all cables are properly positioned inside the box to avoid damaging them when closing the cover.

⚠ CAUTION: Secure all cables to the wall below the box before bending.



1. Secure by turning the locking screw clockwise.

12 Disclaimer

All trademarks identified by ® are registered trademarks in the US and may be registered in other countries. All third party product names, trademarks and registered trademarks are property of their respective owners.

This product may be covered by one or more U.S. patents or their foreign equivalents. For patents, see www.cs-pat.com.

This document is not intended to modify or supplement any specifications or warranties relating to CommScope products or services.

13 Contact information

Visit our website or contact your local CommScope representative for more information. www.commscope.com

For technical assistance, customer service, or to report any missing/damaged parts, visit us at:

<http://www.commscope.com/SupportCenter>